

C-3, D-2**Cover, Service**

Pos.	Description Kit No	C-3 97775357	D-2 97775358
400a	Cover	1	1
400c	Screw	1	1

Capacitor

Pos.	Description/kit No	97775375
161	Capacitor	1

Carbon filter

Pos.	Description Kit No	D-2 & C-3 97775370
404	Filter cover	1
405	Carbon filter	5

Discharge connector

Pos.	Description/ kit No	C-3 98103364
443	Discharge connector	1

Float switch unit

Pos.	Description Kit No	C-3 97775346
460	Pressure switch unit	1

Impeller

Pos.	Description Kit No	C-3 97775352	D-2 97775354
49	Impeller	1	1

Inlet adapter with flap for horizontal inlets

Pos.	Description Kit No	C-3 97775378
418	Inlet adapter	1
418a	O-ring	1
418b	Non-return flap valve	1

Motor with float switch

Pos.	Description Kit No	C-3 97775342	D-2 97775343	C-3 97775351	D-2 97775353
2	Pump housing	1	1	-	-
49	Impeller	1	1	-	-
49c	V-ring	1	-	-	-
67	Nut	1	1	-	-
67a	Cap	1	1	-	-
156	Motor flange	1	1	-	-
156a	O-ring	1	1	-	-
156b	Screw	1	1	-	-
161	Capacitor	1	1	-	-
301	Motor	1	1	1	1
301a	O-ring	1	1	1	1
306	Flange for pump housing	1	-	-	-
306a	O-ring	1	-	-	-
308b	Screw	3	3	-	-
460	Float switch unit	1	-	-	-
482	Pressure switch	-	1	-	-

Non-return valve for outlet

Pos.	Description/kit No	97775371
417c	Non-return valve body	1
417a	O-ring	2
417b	Non-return flap	1

Pressure switch unit

Pos.	Description Kit No	D-2 97775347
482	Pressure switch unit	1
482a	O-ring	1

Rubber parts for inlet

Pos.	Description Kit No	C-3 97775364
430	Flexible connection	2
-	Clamp	4

Rubber parts for outlet

Pos.	Description Kit No	C-3 97775366	D-2 97775367
433	Elbow	1	1
-	Clamp	2	2
445	Reducer	1	-

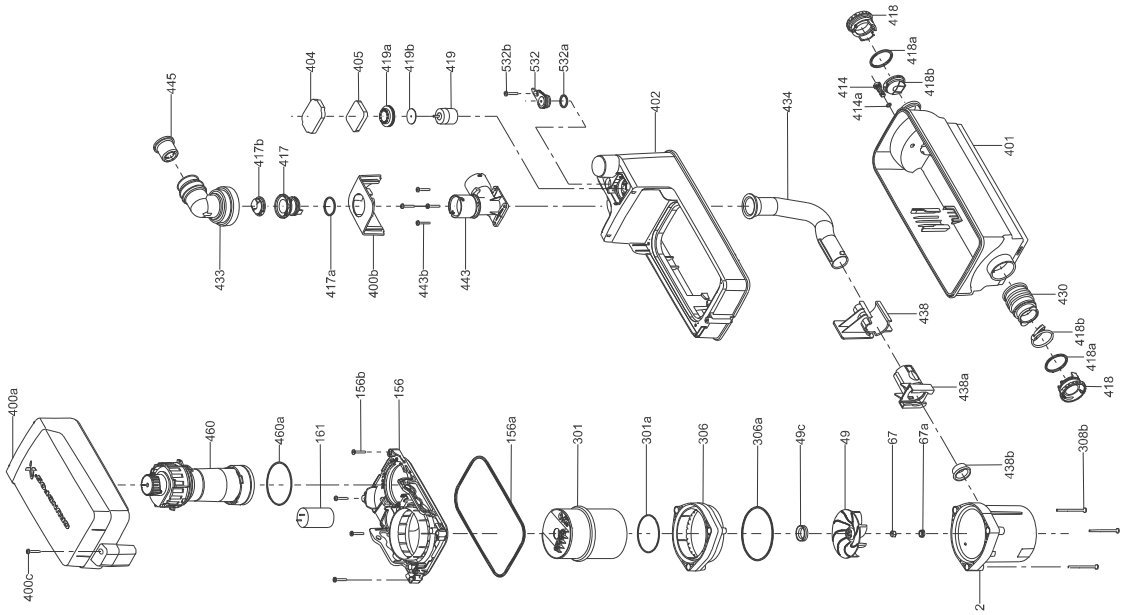
Supply cable

Pos.	Description Kit No	Schuko 97821591	Australia 97901608
-	Supply cable	1	1

Tank

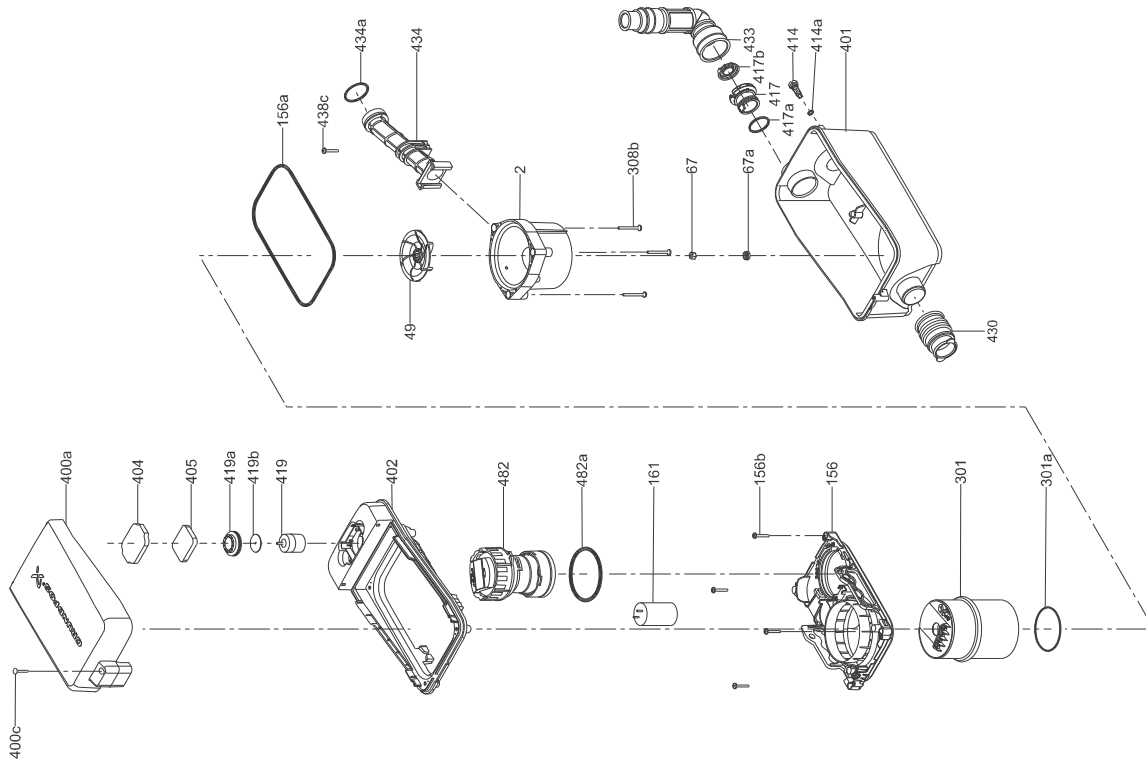
Pos.	Description Kit No	C-3 97775361	D-2 97775362
400b	Pipe cover	1	-
401	Tank bottom	1	1
402	Tank top	1	1
404	Filter cover	1	1
405	Carbon filter	1	1
414	Drain plug	1	1
414a	O-ring	1	1
418	Inlet adapter	2	-
418a	O-ring	2	-
418b	Non-return flap valve	2	-
419	Air vent valve	1	1
419a	Gasket	1	1
419b	Rubber washer	1	1
434	Discharge pipe	1	1
434a	O-ring	-	1
438	Fixing device	1	-
438a	Adapter	1	-
438b	Retaining ring	1	-
438c	Screw	-	1
443	Discharge connector	1	-
443b	Screw	4	-
532	Blanking plug	1	-
532a	O-ring	1	-
532b	Screw	1	-

C-3



TM05 0001 0911

D-2



TM05 0005 0911