

69. SCALA2

50/60 Hz

Chamber stack

Pos.	Description/kit No	99016032
49	Impeller complete with wear ring	4
4	Chamber complete for support	1
4	Chamber complete.	2
44	Inlet part for hydraulic complete	1
44a	Seal ring for inlet part	1
66	Washer ø15,5x1,5 SS	1
67	Lock nut	1
169	Plug for nameplate D30.2x15.4	1
37	O-ring D110.72x3.53	1

Connection module

Pos.	Description/kit No	99016047
2	Connection part for hydraulic	1
10	Valve for self priming	1
37	O-ring	1
42a	Gasket, flat	1
44a	Seal ring for inlet part	1

Cover for hydraulic

Pos.	Description/kit No	99016053
403	Cover for hydraulic	1

Cover complete, SCALA2

Pos.	Description/kit No	99016058
164	Cover complete for SCALA2	1

Drain plug, bulk

Pos.	Description/kit No	99016065
7	Drain plug	10

Fitting R1 and union, composite

Pos.	Description/kit No	99016013
100	Union nut 2"	1
100a	Fitting R1	1
100b	O-ring D40.0 x 4.00	1

Fitting NPT1 and union, composite

Pos.	Description/kit No	99016015
100	Union nut 2"	1
100a	Fitting NPT1	1
100b	O-ring D40.0 x 4.00	1

O-rings

Pos.	Description/kit No	99016019
37	O-ring D110.72 x 3.53	1
100b	O-ring D40.0 x 4.00	2
11a	O-ring D17.86 x 2.62	1
44a	Seal ring f/inlet part	1
-	O-ring D30.00 x 4.00	1
42a	Gasket Flat 39.2 x 24 x 2.5	1
-	O-ring D17.00 x 4.50	2
-	Seal cap EP 11/7/4	1

O-ring for Drain plug, bulk

Pos.	Description/kit No	99016066
11a	O-ring D17.86 x 2.62	10

Plugs and valves

Pos.	Description/kit No	99016030
65a	Non-return valve discharge, complete.	1
65	Non-return valve inlet, complete.	1
7	Drain plug	1

Pos.	Description/kit No	99016030
11a	O-ring D17.86 x 2.62	1

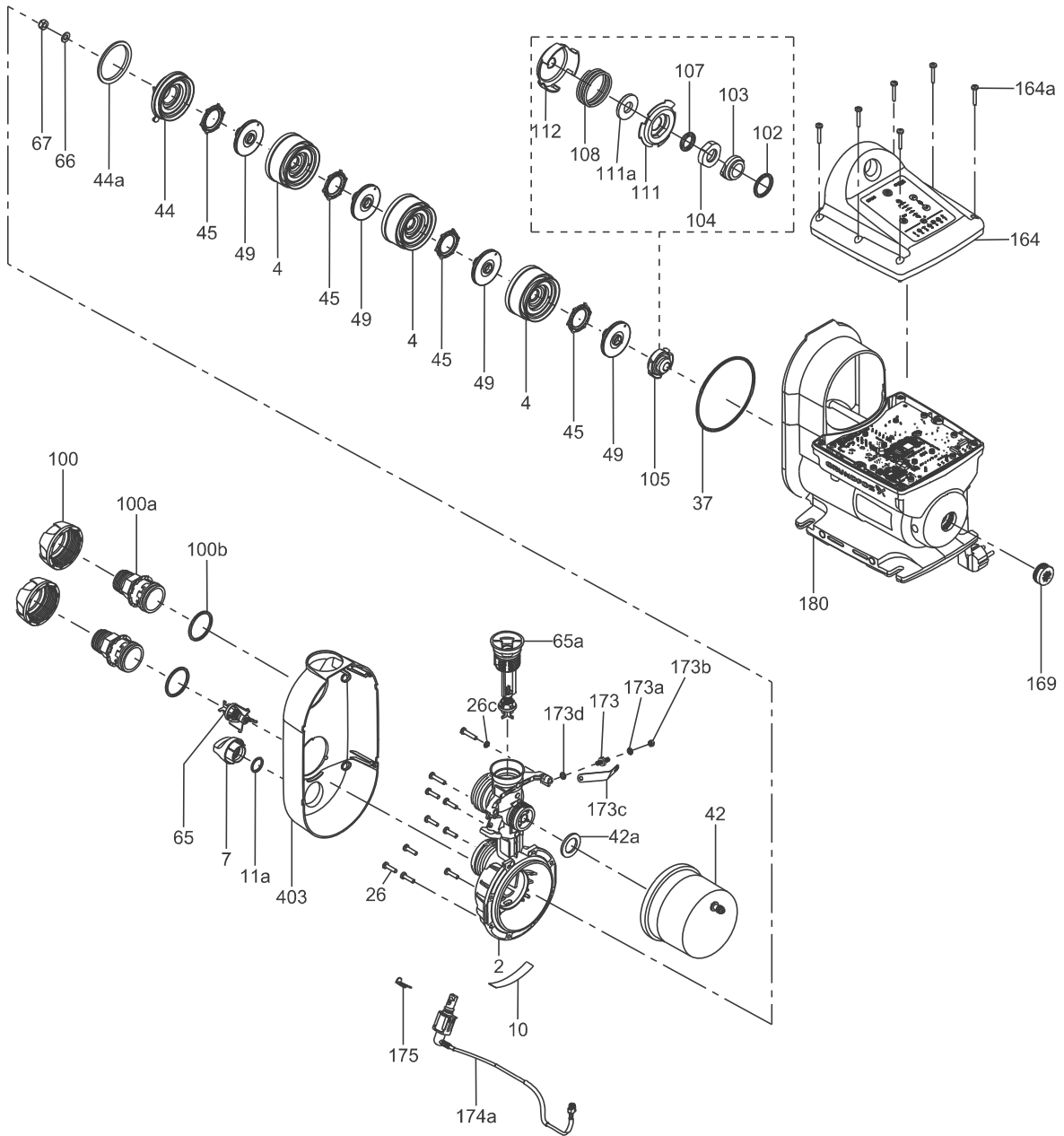
Pressure tank

Pos.	Description/kit No	99016027
42	Tank complete	1
42a	Gasket Flat 39.2 x 24 x 2.5	1

Shaft seal

Pos.	Description/kit No	99016024
105	Shaft seal complete.	1
67	Lock nut	1
66	Washer ø15,5x1,5 SS	1

SCALA2



TMD06 4966 3715