

**CR, CRI, CRN 5**

50/60 Hz

**Coupling complete**

Motor/pump shaft diameter [mm]	Kit No
14/12	415060
19/12	415061
24/12	415062
28/12	415063
38/12	415065
15.8/12 (NEMA)	415314
28.5/12 (NEMA)	415315
34.9/12 (NEMA)	96478700

**Content**

Pos.	Description	Quantity
105	Shaft seal	1

**O-ring**

Pos.	Kit No Description	96455090		96455091	
		EPDM	FKM	EPDM	FKM
37	O-ring 137,5 x 3,3	2	2		
38	O-ring 16,3 x 2,4	1	1		
100	O-ring 16,3 x 2,4	2	2		
109	O-ring 22 x 2,75	1	1		

**Wear parts**

Pos.	Bearings Description/stages	Kit No					
		96455096	96455097	96455098	96455099	96455101	96455100
	Silicon carbide						
	Bronze	96455103	96460106	96455107	96455108	96460107	96455109
	Carbon graphite	96460141	96460142	96455113	96455114	96460143	96455115
	Description/stages	-7	-12	-16	-22	.26	-36
4a	Chamber with bearing	1	2	3	4	5	6
39	Gasket	2	2	2	2	2	2
45	Neck ring	6	10	13	18	21	30
47a	Bearing ring, rotating	1	2	3	4	5	6
64a	Spacing pipe	1	2	3	4	5	6
64c	Clamp splined	1	1	1	1	1	1
65	Neck ring retainer	6	10	13	18	21	30
66	Lock washer	1	1	1	1	1	1
67	Lock nut	1	1	1	1	1	1

**Shaft seal**

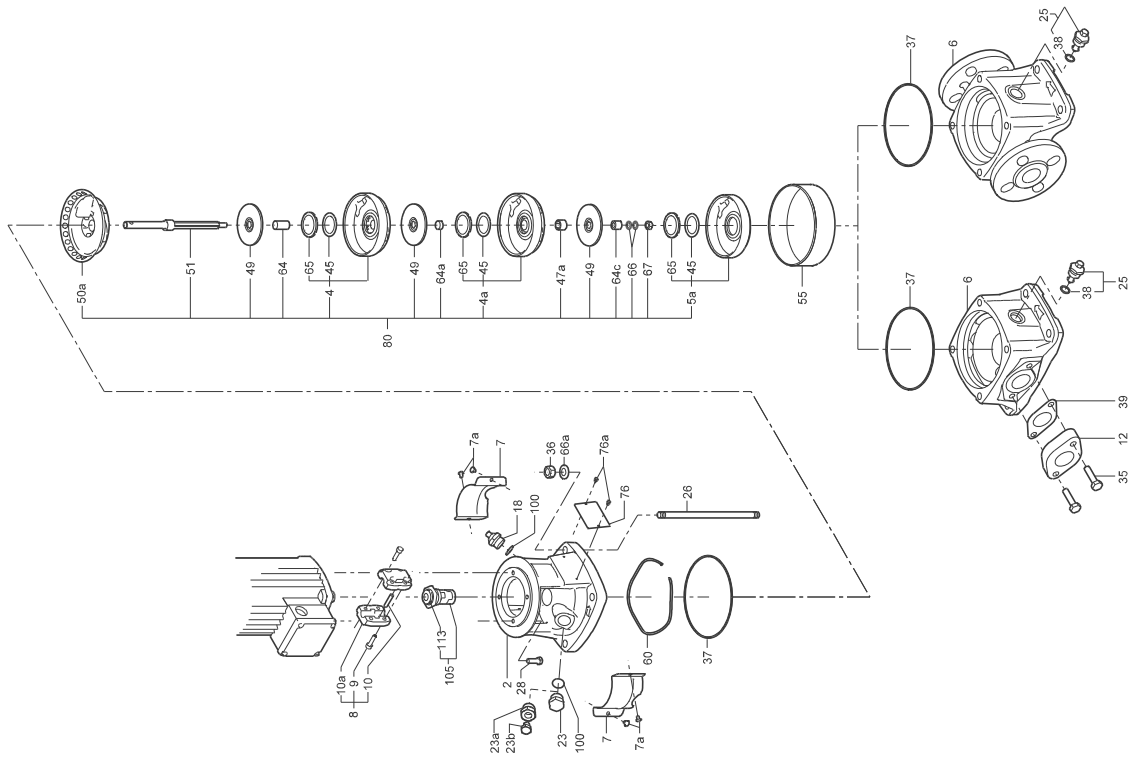
Description	Kit No
HQQE	96455086
HQQV	96455087
HQQK	96533326
HQQF	96533327
HQBE	96455088
HQBV	96455089
HQBK	96491375
HUBE	96455082
HUBV	96455083
HUBK	96533322
HUBF	96533323
HUUE	96455084
HUUV	96455085
HUUV*	91043611
HUUK	96533324
HUUF	96533325

\* Silicone-free cartridge

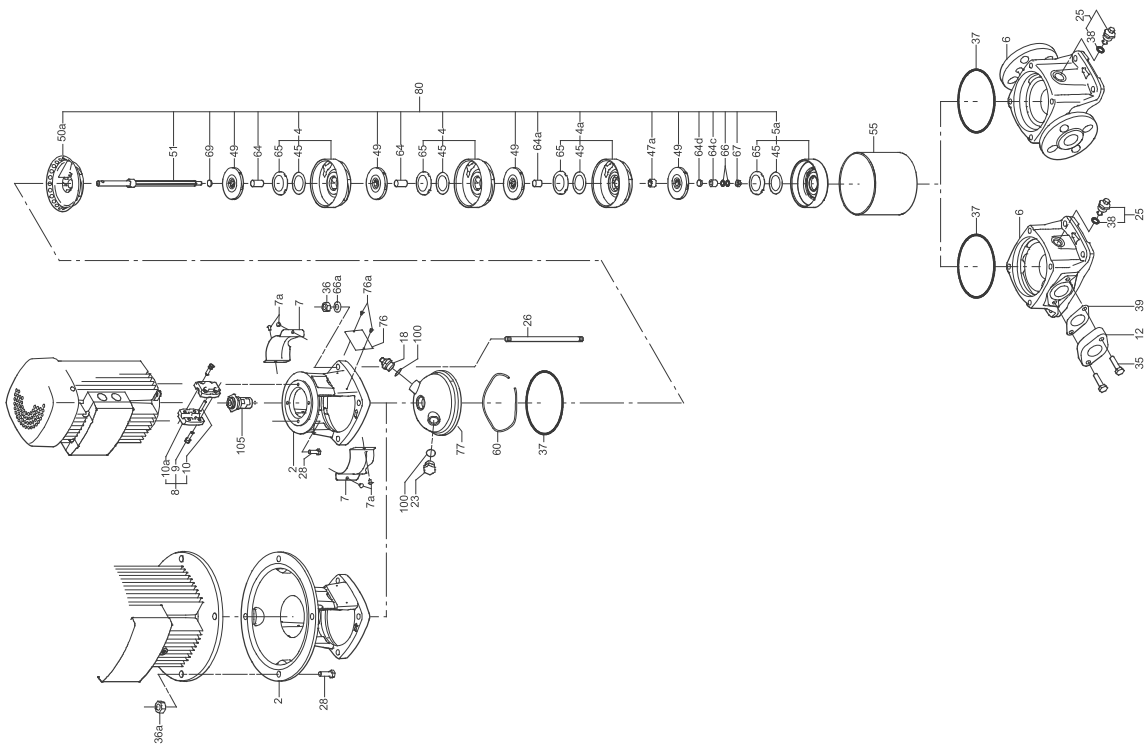
**Content**

Pos.	Description	Quantity
105	Shaft seal	1

CR5



CRI / CRN5



TM02 0210 4100

TM02 0216 4100

**Chamber stack complete**

Pos.	Pump type	CR/CRI 5	CRN 5
	SiC/SiC bearings	Kit No	Kit No
	2	96453575	96453598
	3	96453576	96453599
	4	96453577	96453600
	5	96453578	96453601
	6	96453579	96453602
	7	96453580	96453603
	8	96453581	96453604
	9	96453582	96453605
	10	96453583	96453606
	11	96453584	96453607
	12	96453585	96453608
80	13	96453586	96453609
	14	96453587	96453610
	15	96453588	96453611
	16	96453589	96453612
	18	96453590	96453613
	20	96453591	96453614
	22	96453592	96453615
	24	96453593	96453616
	26	96453594	96453617
	29	96453595	96453618
	32	96453596	96453619
	36	96453597	96453620

**Coupling guard**

Description	Kit No
MG 71 - 80	96505130
MG 90 - 132	96505131
NEMA, F 182/213 TC	96505132

**Content**

Pos.	Description	Quantity
7	Coupling guard	2
7a	Screw	4

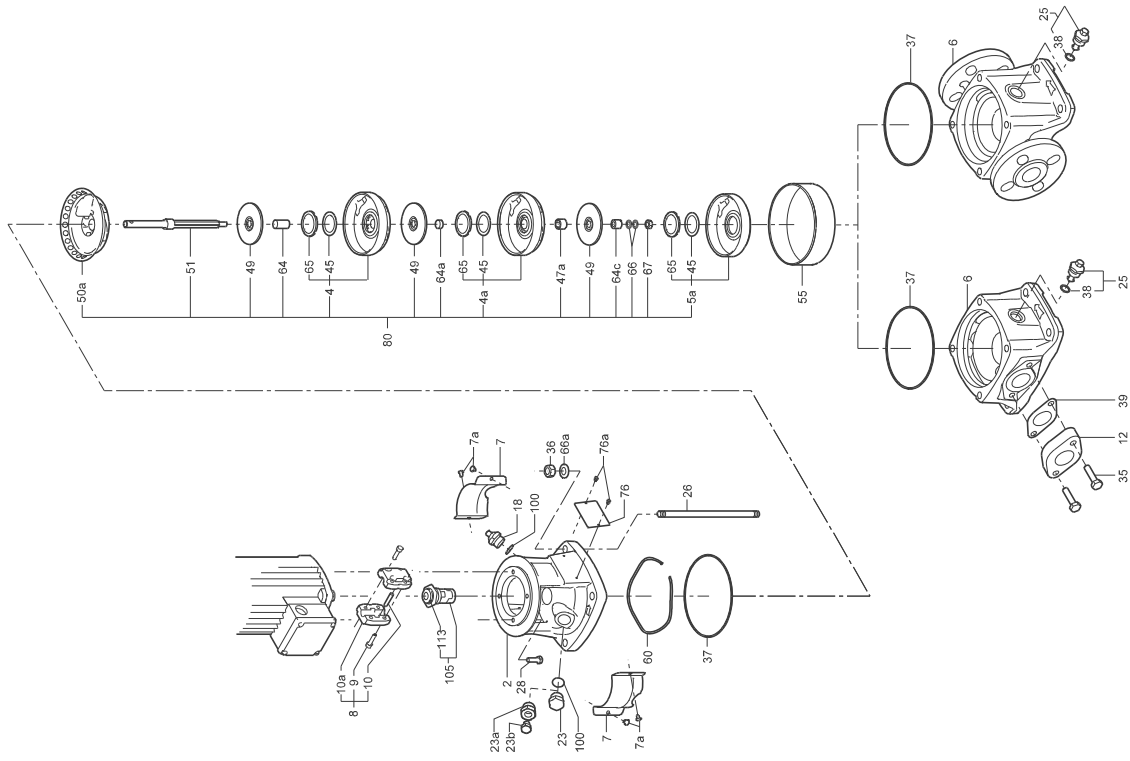
**Plug**

Description	Kit No
EPDM/FKM0	96505133
EPDM/FKM/NEMA	96511103

**Content**

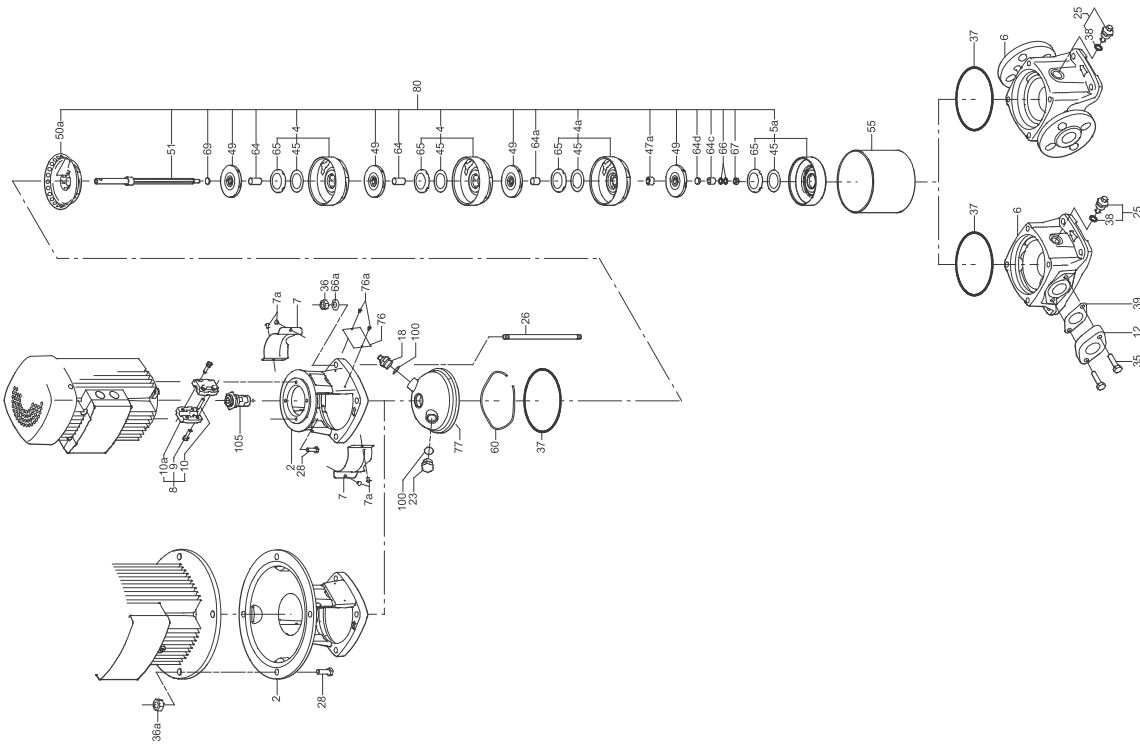
Pos.	Description	Quantity	
18	Air vent screw	1	
23a	Pipe plug	1	
23b	Pipe plug	1	
25	Drain plug with bypass valve	1	
38	O-ring 16.3 x 2.4	EPDM	1
		FKM	1
100	O-ring 16.3 x 2.4	EPDM	2
		FKM	2

CR5



TM02 0210 4100

CRI / CRN5



## CR 8

## 50/60 Hz, Models A, B

## Chamber stack complete

Consists of items: 3, 3a, 4, 4a, 44, 47a, 49, 51, 61, 64, 64a, 64c, 64d, 66, 67, 69		Kit No	Kit No
Number of stages		Ceramic bearings	Bronze bearings
1		425049	425267
2		425050	425268
3		425051	425269
4		425052	425270
5		425053	425271
6		425054	425272
8		425055	425273
10		425056	425274
12		425057	425275
14		425058	425276
16		425059	425277
18		425060	425278
20		425061	425279

## Coupling complete

Motor/pump shaft diameter [mm]	Kit No
14/16	339114
19/16	339119
24/16	339124
28/16	339128
38/16	339138
42/16	339142
15.9/16, NEMA	425260
28.6/16, NEMA	425261
34.9/16, NEMA	425262
41.3/16, NEMA	425263

## Content

Pos.	Description	Quantity
8	Coupling half	2
9	Screw	4
10	Pin	1

## Shaft seal

Pos.	Kit No	985204	425085	985874	425062	425063	985838	985829	985828	985834	425763	425762
	Description	AUUE/V	AUUE/V	AUUE	BUBE	BUBV	RUUE/V	RUUK	AUUK	AUAK	BQQE	BQQV
37	Sleeve gasket	2	-	-	2	2	2	2	2	2	2	2
37	Vulcanised sleeve gasket	-	2	2	2	2	2	-	-	-	-	-
105	Shaft seal	1	1	1	1	1	1	1	1	1	1	1

## Wear parts

Pos.	Kit No	425066			425067			425068			425300		425301		425302	
		Number of stages		1-6	8-12		14-20		1-6		8-12		14-20			
	Description	Ceramic bearings						Bronze bearings								
4a	Bearing chamber	1		2		3		1		2		3				
37	Sleeve gasket	2		2		2		2		2		2				
38	Drain plug gasket ★	1		1		1		1		1		1				
39	Flange gasket	2		2		2		2		2		2				
45	Neck ring	5		10		17		5		10		17				
47a	Bearing ring	1		2		3		1		2		3				
57	O-ring for drain plug ★	1		1		1		1		1		1				
61	Spacer for shaft seal	1		1		1		1		1		1				
62	Stop ring	1		1		1		1		1		1				
64c	Spacer	1		1		1		1		1		1				
65	Neck ring retainer	5		10		17		5		10		17				
66	Spring washer	1		1		1		1		1		1				
67	Lock nut	1		1		1		1		1		1				
100	O-ring	1		1		1		1		1		1				

★ EPDM and FKM